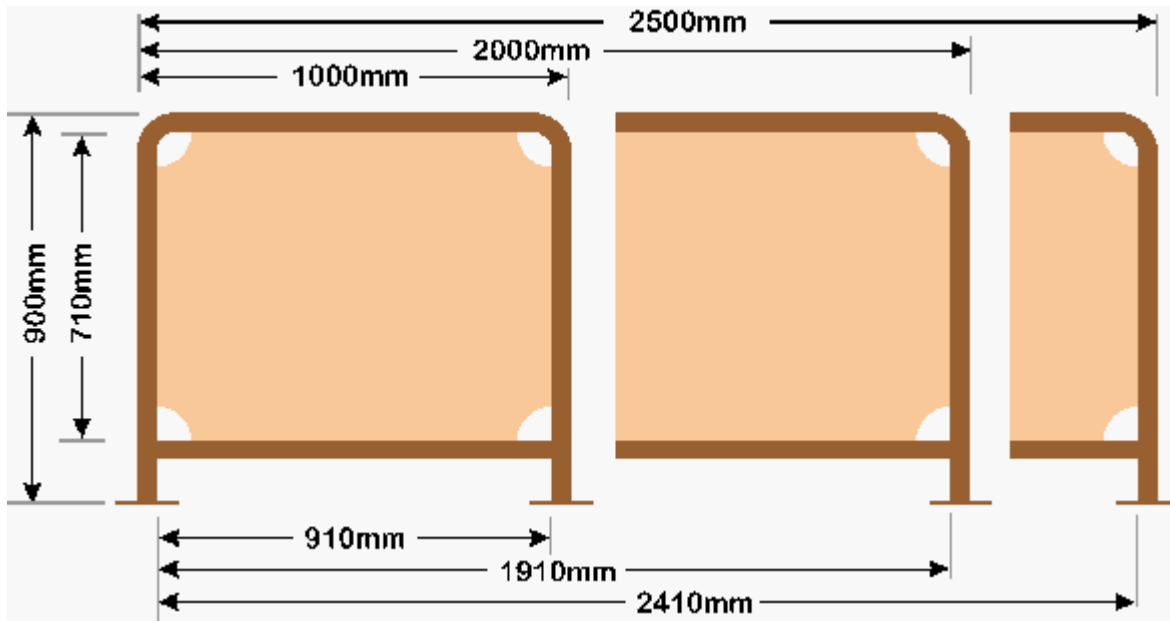




Style 5 Street Barrier Dimensions:



Style 5 - Clear Vinyl Panel Dimensions (mm)			
	1m Barrier	2m Barrier	2.5m Barrier
1800mm High	900 x 910	900 x 1910	900 x 2410
1500mm High	600 x 910	600 x 1910	600 x 2410
1200mm High	300 x 910	300 x 1910	600 x 2410

Standard Finish: Powder-coated 45mm tubular steel frames with feet. (Stainless steel or aluminium POA.)
Weld-joined clear vinyl and standard vinyl insert panel with sailtrack fixing to top, bottom and both side rails. Standard vinyl insert panel as for style 3

Artwork Area:

- Dimensions for both computer-cut and digital artwork on standard panel as for Style 3

NOTE: Some Council By-Laws restrict the area which signage may cover

Artwork for Printing: Artwork to be used for digitally printed barriers is preferred as an **EPS** file or a **high quality 'JPEG'**.

Electronic File Formats: Artwork may be contained in files with formats including "eps", "ai" (up to V10.0) and "jpg".

Submission of Artwork: Artwork is submitted in electronic formats via Email or on Floppy Disc (1.44Mb PC/Mac), ZIP Disc (100Mb PC) or CD Compact Disc (PC format only).

Where artwork is submitted in a format ready for reproduction with little or no editing, no additional charges apply for graphics up to two colours for vinyl cutting or screen printing, however conversion of bitmap files to vector format for vinyl cutting or lithographic film production, extraction of 'embedded' bitmaps from non-graphical formats, importing of file formats not supported by the Awnet Art Department, reconstruction or major editing of artwork will incur an additional charge.

NOTE: It is not always possible to exactly match vinyl film colours to "PMS" colours or other colours specified in submitted artwork, however the best match will be made using the most suitable vinyl films.

PLEASE NOTE: Files in "eps" or "ai" format should have any FONTS CONVERTED TO GRAPHICS and line widths or stroking CONVERTED TO OUTLINES to avoid an additional editing charge.